

## CL 0.8 Cord Lift

Cord lift technology. Low voltage. Dual shaft.  
The CL motor can provide continuous power and its simplified wiring solution is directly compatible with roman shading systems and cellular shades.



### Bidirectional Communication

Automate Radio Communication utilizes two-way communication to provide up-to-date feedback on battery levels and shade positioning via the Automate Pulse 2 app.



### Interchangeable Power Source

Choose to have your shades hard wired for continuous power or opt for a wire-free setup – choose from a rechargeable battery pack or a tube that holds AA batteries.



### Favorite Positioning

Add a programmable shade position in addition to the upper and lower limits that can be defined as your "favorite."



### Simplified Setup

Whether using a remote control or app for shade setup, Automate programming instructions are streamlined to have your shades moving as quickly as possible.



### Precise Limit Adjustment

Incremental steps during limit setting allows for precise positioning of the shade.



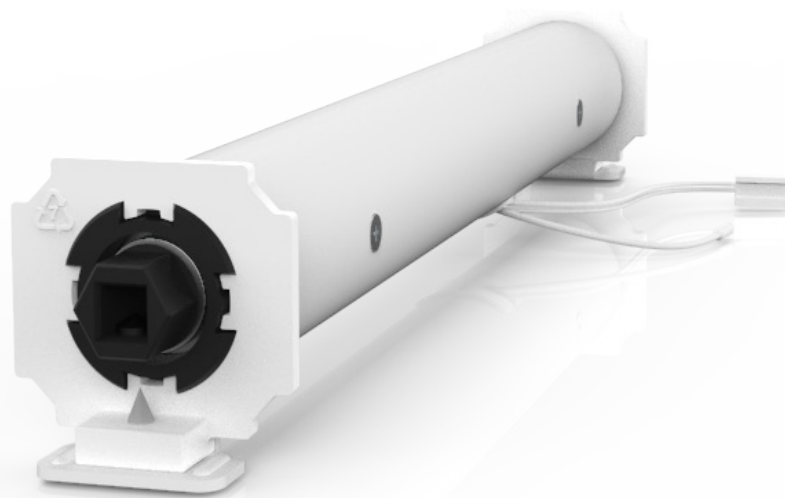
### Battery Check Action

When paired with Push5 remote, motor will move shade to indicate battery percentage.



### Elegant Soft Stop

Slows the motor down for a smooth stop to prevent damage to the shade, and preserves the life of the battery.



**7** YEAR WARRANTY



ARC™ (Automate Radio Communication) is Rollease Acmeda's proprietary technology utilizing 433MHz radio communication with bi-directional feedback that brings Automate motorized shading systems together.

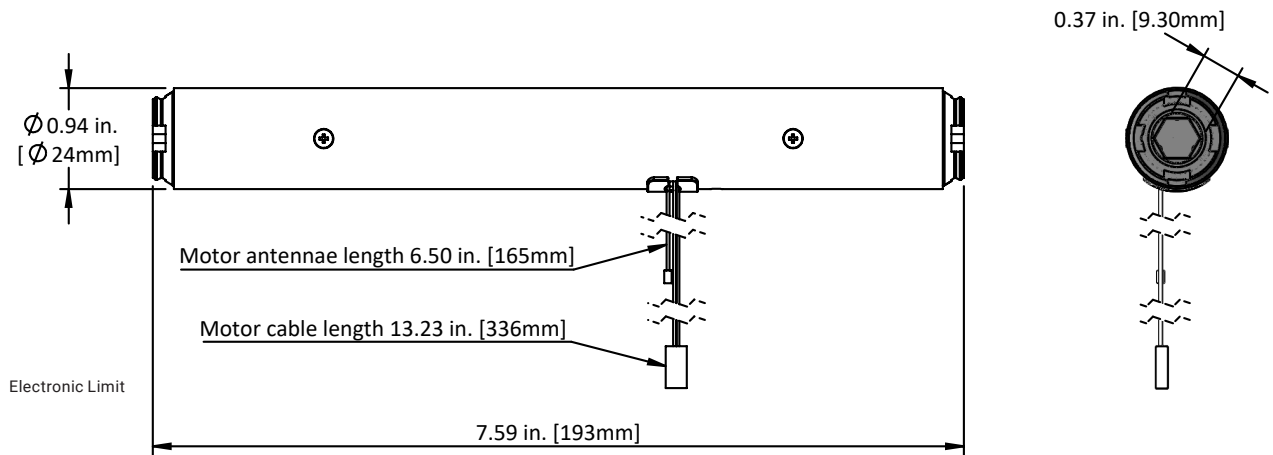
A Division of Rollease Acmeda

# Product Specifications

Part #: MT01-3001-069002 Cord Lift 0.8 Nm Motor

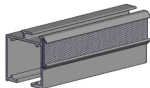
<b>Voltage</b>	12V DC	<b>Limit Switch Type</b>	Electronic
<b>Torque</b>	0.8 Nm	<b>Current</b>	1.18 A
<b>Max Run Time</b>	6 min	<b>Battery Size/Type</b>	External Battery Pack
<b>Speed</b>	33, 39, 50 RPM	<b>Temp Working Range</b>	32°F to 140°F (0°C to 60°C)
<b>Radio Frequency</b>	433.92 MHz	<b>Insulation Class</b>	I.CL.B
<b>RF Modulation</b>	FSK	<b>Sound Level</b>	60dB
<b>IP Rating</b>	IP40	<b>Power</b>	14W

## Dimensions

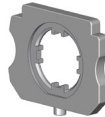


## Compatible Parts

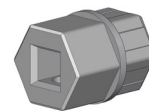
### Systems



### Motor Adaptors



### Shaft Adaptors



BTG Headrail	MTAD-CLHR-BTGC	MTAD-CLSA-4MMSQ
Turnils Headrail	MTAD-CLHR-TUR	MTAD-CLSA-V
SS38 Headrail	MTAD-CLHRSS38KT	-
-	MTAD-CLHR_US-ROM	MTAD-CLSA-D
-	-	MTAD-CLSA-5mmSQ

## Compatible products (Refer to catalog for full item listings)

### Controllers



Pulse HUB & App



Push 5 remotes

### Power Options



Power Supply



Battery Pack



Power Supply



Power Panel