

AUTOMATE™

WireFree Li-ion 3.0

Rechargeable. Battery-powered. Efficient installation.
This wire-free motor's built-in rechargeable lithium-ion battery is perfect for medium to large shade applications.



BI-DIRECTIONAL COMMUNICATION

Automate Radio Communication utilizes two-way communication to provide up-to-date feedback on battery levels and shade positioning via the Automate Pulse 2 app.



ADJUSTABLE SPEED CONTROL

Three shade speed settings to suit your needs – faster for larger shades, slower for smaller. Features quiet operation when set to the lowest speed setting.



SIMPLIFIED SETUP

Whether using a remote control or app for shade setup, Automate programming instructions are streamlined to have your shades moving as quickly as possible.



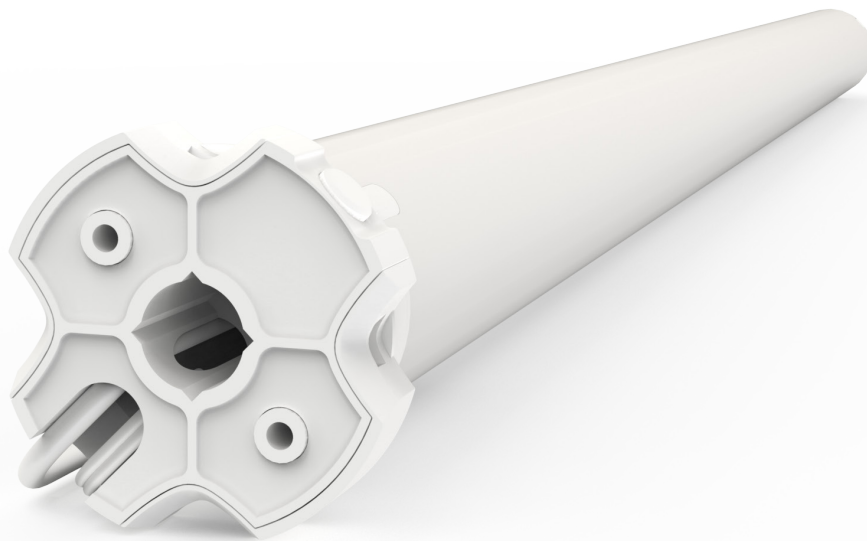
FAVORITE POSITIONING

Add a programmable shade position in addition to the upper and lower limits that can be defined as your "favorite".



PRECISE LIMIT ADJUSTMENT

Incremental steps during limit setting allows for precise positioning of the shade.



5 YEAR WARRANTY



ARC™ (Automate Radio Communication) is Rollease Acmeda's proprietary technology utilising 433MHz radio communication with bi-directional feedback that brings Automate motorised shading systems together.

A DIVISION OF
**ROLLEASE
ACMEDA**

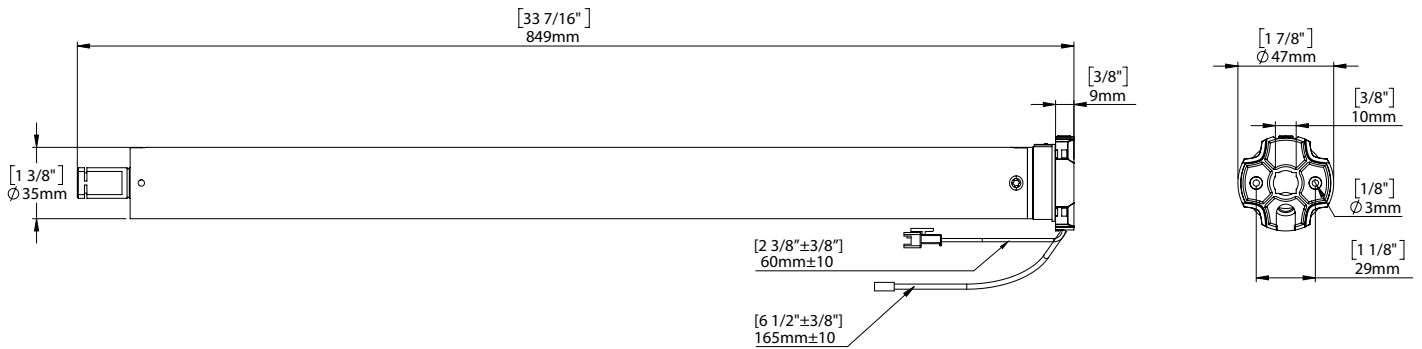
PRODUCT SPECIFICATIONS

Part #: MTDCBRF35-3

Automate WireFree Li-ion 3.0

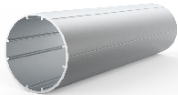
Voltage	12	Limit Switch Type	Electronic
Torque	3.0Nm	Current	2.2 A
Max Run Time	12 Min	Battery Size/Type	5200mAH
Speed	28 RPM (Adjustable to 24 or 20)	Temp Working Range	32°F to 140°F (0°C to 60°C)
Radio Frequency	433.92 MHz	Insulation Class	III
RF Modulation	FSK	Sound Level	~53dB
IP Rating	IP44		

DIMENSIONS



COMPATIBLE PARTS

Tubes



Crown & Drives



Adaptors



2.0"	MTCRDR-35-2
40mm OCT tube	MTCRDR-35-2-OCT
S45 Tubes	MTCRDR-35-S45

- MTAD-252835-RS
- MTAD-252835-SL
- MTAD-25-28-SLV2W
- RB40-1402-069400

COMPATIBLE SYSTEMS

- Skyline Shades
- S45 Shades
- R Series Shades

COMPATIBLE PRODUCTS (refer to catalog for full item listings)

Controllers



Pulse HUB & App

Push 5 remotes

Wall Switch

Charging Options



12V Charger

Solar Panel

Sensors



Internal Sun Sensor