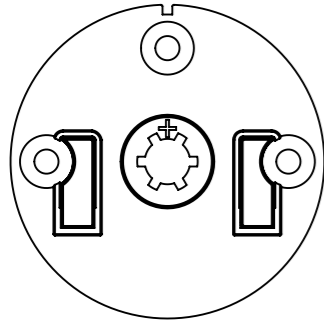
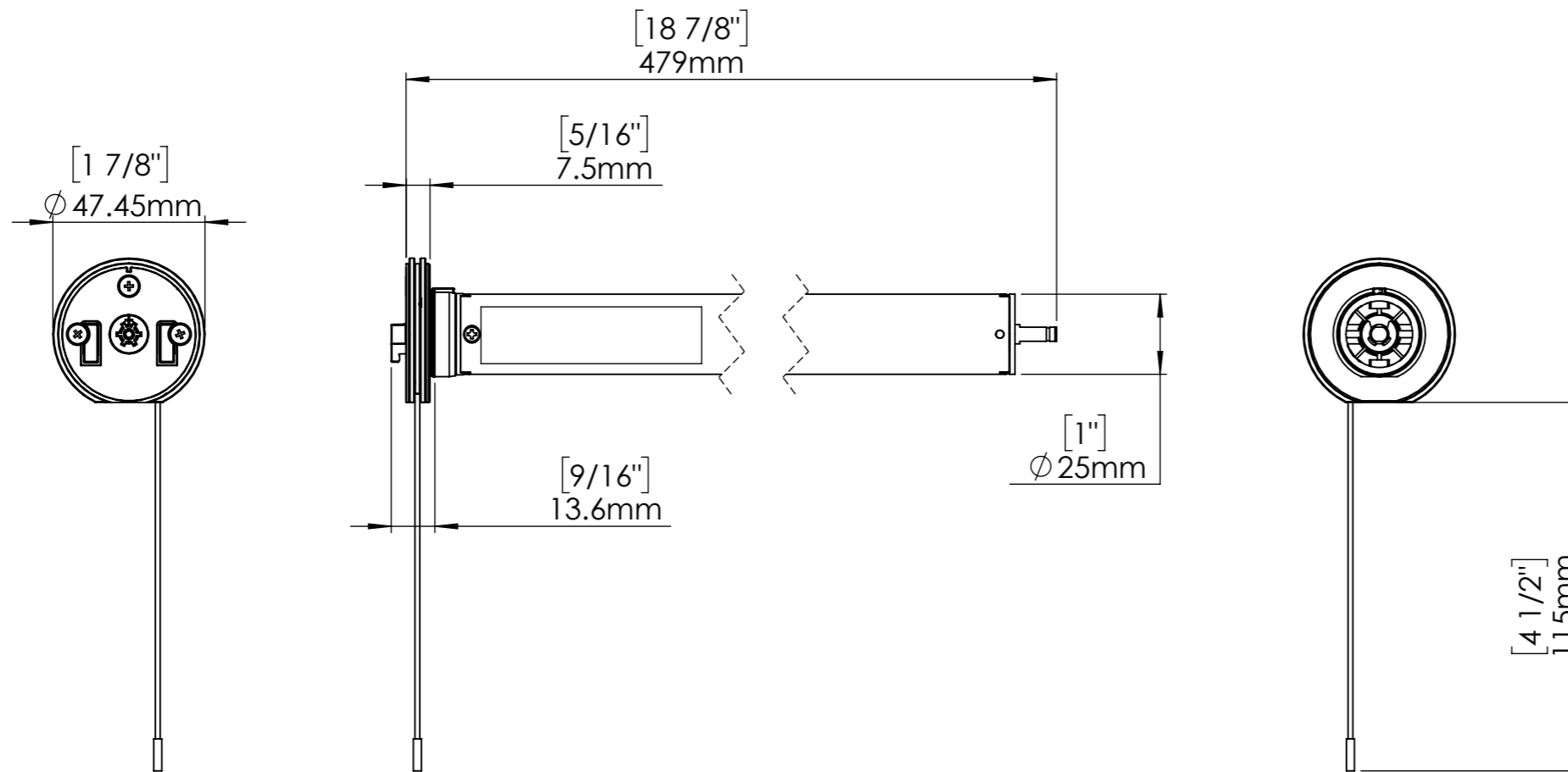
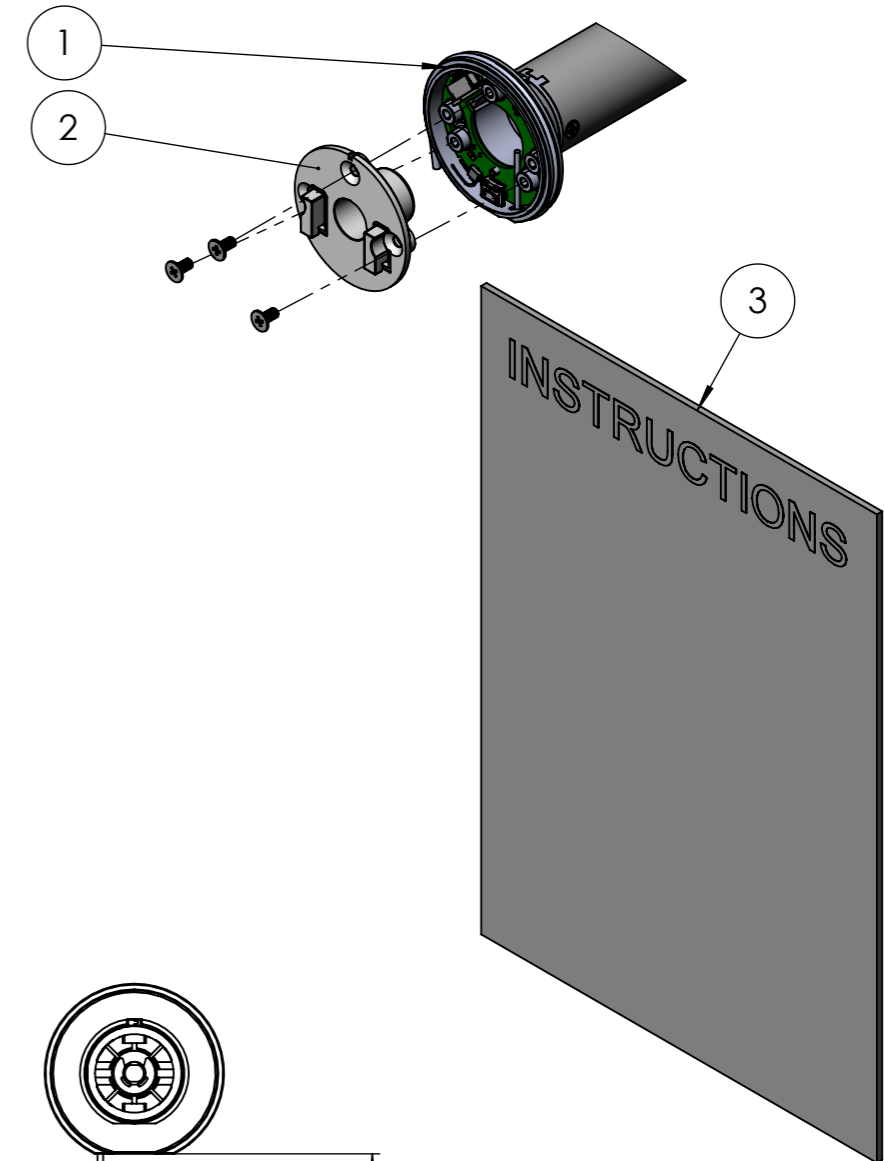


ITEM NO.	PART NO.	DESCRIPTION	Default/ QTY.	Carton QTY
1	DM25LEU/S-0.7/20 - Q	AUTOMATE   Motor 0.7Nm ARC Motor Quiet [Ø25/5V/20rpm] (2 battery)	1	20
2	MT03-0206-069002	AUTOMATE   BRACKET ADAPTOR SKYLINE SERIES	1	20
3	Instructions	Installation Instructions	1	20



MT03-0203-069002

**NOTE:**  
Motor is supplied with MT03-0203-069002 (Skyline) attached to the motor.



## PRODUCT SPECIFICATION SHEET

ITEM DESCRIPTION: **5V ZERO LI-ION 0.7NM CT20 Q MOTOR [Ø25/5V/20RPM](SKY)**

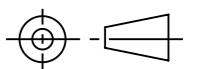
ITEM CODE: **MT01-1325-069028-CT**



© ROLLESE ACMEDA

SCALE:1:2

DRAWN: 12 Jun 2024



www.rolleseeacmeda.com

PROPRIETARY & CONFIDENTIAL  
THE INFORMATION CONTAINED IN THIS DRAWING IS THE SOLE PROPERTY OF ROLLESE ACMEDA. ANY REPRODUCTION IN PART OR WHOLE WITHOUT THE WRITTEN PERMISSION OF ROLLESE ACMEDA IS PROHIBITED.

DIMENSIONS IN "MM"

SIZE: **A3**

REV. **03**