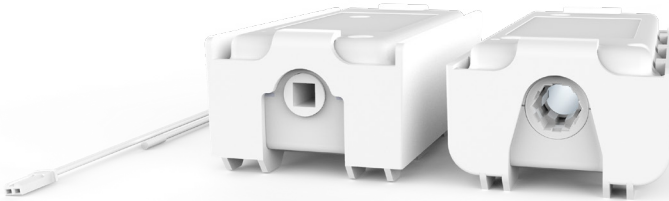


AUTOMATE™ CORE TILT MOTOR INSTRUCTIONS



**ELECTRONIC
LIMIT**



**SELECTABLE
SPEED**



**433 MHZ
BI-DIRECTIONAL**



**FAVORITE
POSITION**



SOLAR OPTION



LEVEL CONTROL

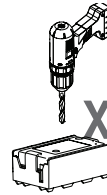
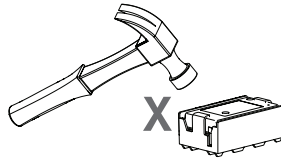
- USE THIS DOCUMENT WITH THE FOLLOWING MOTORS:

PART NUMBER	DESCRIPTION
MT01-4001-xxx002	Passthrough Tilt Motor Kit
MTDCRF-TILT-1	Automate VT Motor

SAFETY INSTRUCTIONS

WARNING: Important safety instructions to be read before installation.

Incorrect installation can lead to serious injury and will void manufacturer's liability and warranty.



CAUTION

- Do not expose to moisture or extreme temperatures.
- Do not allow children to play with this device.
- Use or modification outside the scope of this instruction manual will void warranty.
- Installation and programming to be performed by a suitably qualified installer.
- For use within tubular blinds.
- Ensure correct crown and drive adaptors are used for the intended system.
- Keep antenna straight and clear from metal objects
- Do not cut the antenna.
- Use only Rollease Acmeda hardware.
- Before installation, remove any unnecessary cords and disable any equipment not needed for powered operation.
- Ensure torque and operating time is compatible with end application.
- Do not expose the motor to water or install in humid or damp environments.
- Motor is to be installed in horizontal application only.
- Do not drill into motor body.
- The routing of cable through walls shall be protected by isolating bushes or grommets.
- Ensure power cable and aerial is clear and protected from moving parts.
- If cable or power connector is damaged do not use.

Important safety instructions to be read prior to operation.

- It is important for the safety of persons to follow the enclosed instructions. Save these instructions for future reference.
- Persons (including children) with reduced physical, sensory or mental capabilities, or lack of experience and knowledge should not be allowed to use this product.
- Keep remote controls away from children.
- Frequently inspect for improper operation. Do not use if repair or adjustment is necessary.
- Keep motor away from acid and alkali.
- Do not force the motor drive.
- Keep clear when in operation.



Do not dispose of in general waste.

Please recycle batteries and damaged electrical products appropriately.



U.S. Radio Frequency FCC Compliance

This device complies with Part 15 of the FCC Rules. Operation is subject to the following two conditions:

- (1) This device may not cause harmful interference, and
- (2) This device must accept any interference received, including interference that may cause undesired operation.

This equipment has been tested and found to comply with the limits for a Class B digital device, pursuant to Part 15 of the FCC Rules. These limits are designed to provide reasonable protection against harmful interference in a residential installation.

This equipment generates, uses, and can radiate radio frequency energy and, if not installed and used in accordance with the instructions, may cause harmful interference to radio communications. However, there is no guarantee that interference will not occur in a particular installation. If this equipment does cause harmful interference to radio or television reception, which can be determined by turning the equipment off and on, the user is encouraged to try to correct the interference by one or more of the following measures:

- Reorient or relocate the receiving antenna.
- Increase the separation between the equipment and receiver.
- Connect the equipment into an outlet on a circuit different from that to which the receiver is connected.
- Consult the dealer or an experienced radio/TV technician to help.

Any Changes or modifications not expressly approved by the party responsible for compliance could void the user's authority to operate the equipment.

ISED RSS Warning:

This device complies with Innovation, Science and Economic Development Canada license-exempt RSS standard(s). Operation is subject to the following two conditions:

- (1) this device may not cause interference, and
- (2) this device must accept any interference, including interference that may cause undesired operation of the device.

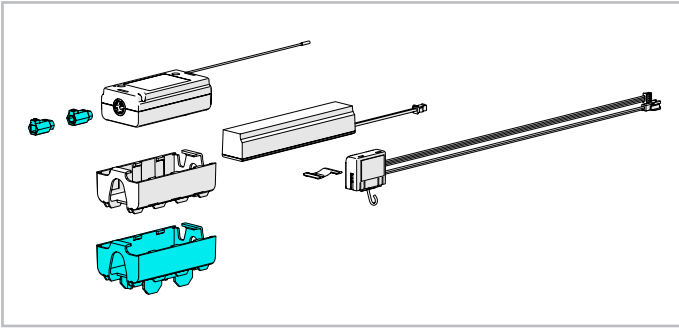
Le présent appareil est conforme aux CNR d'ISED applicables aux appareils radio exempts de licence. L'exploitation est autorisée aux deux conditions suivantes:

- (1) l'appareil ne doit pas produire de brouillage, et
- (2) l'utilisateur de l'appareil doit accepter tout brouillage radioélectrique subi, même si le brouillage est susceptible d'en compromettre le fonctionnement.

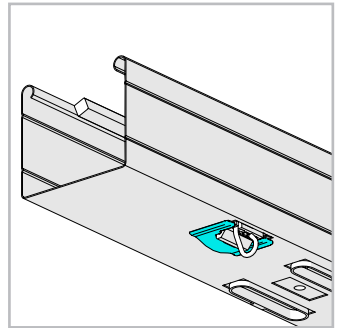
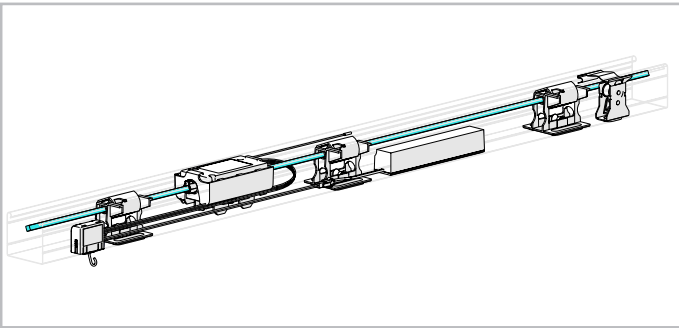
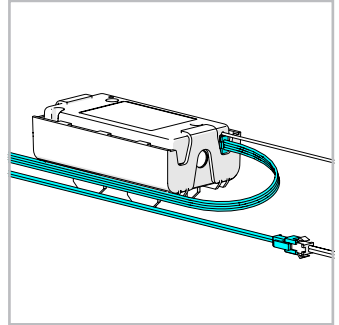
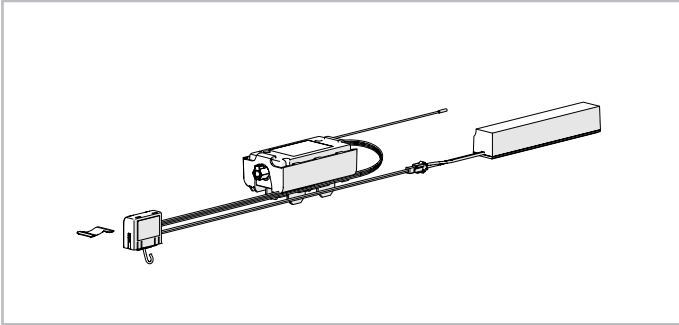
CONTENTS

1	CORE TILT MOTOR ASSEMBLY	5
2	CORE TILT MOTOR WAND OPERATION	6
3	TILT MOTOR ASSEMBLY	7
4	WIRING	8
4.1	Power Options	8
5	P1 BUTTON FUNCTIONS	9
5.1	Motor state test	9
5.2	Motor configuration options	9
6	INITIAL SET UP	10
6.1	Pair motor with controller	10
6.2	Check motor direction	10
6.3	Set Limits	11
7	ADJUSTING LIMITS	12
7.1	Adjust upper limit	12
7.2	Adjust lower limit	12
8	CONTROLLERS AND CHANNELS	13
8.1	Using P2 Button on existing controller to add a new controller or channel	13
8.2	Using a pre-existing controller to add or delete a controller or channel	13
9	FAVORITE POSITIONING	14
9.1	Set a favorite position	14
9.2	Send shade to favorite position	14
9.3	Delete favorite position	14
10	TILT & ROLLER MODE	15
10.1	Toggle motor to Tilt Mode	15
10.2	Toggle Motor to Roller Mode	15
11	ADJUSTING SPEED	16
11.1	Increase Motor Speed	16
11.2	Decrease Motor Speed	16
12	SLEEP MODE	17
13	TROUBLE SHOOTING	18
	NOTES	19

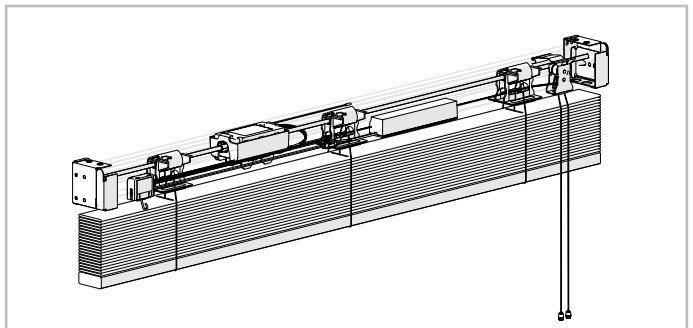
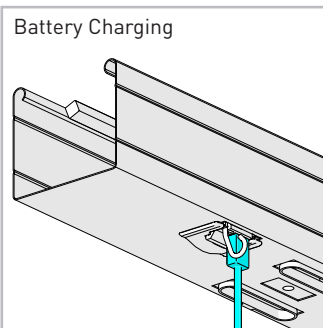
1 CORE TILT MOTOR ASSEMBLY



- Assemble correct configuration as required
- Disassemble existing venetian manual control assembly
- Insert motor assembly into existing venetian head rail assembly
- Re-insert tilt rod through the motor assembly & spools
- Attach switch control cover

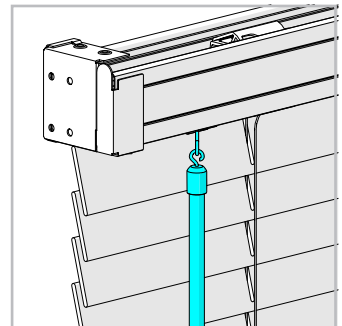
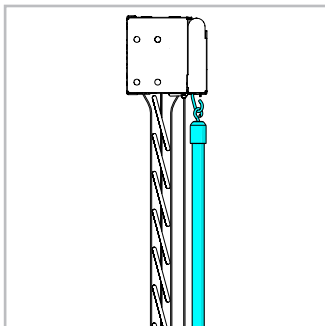
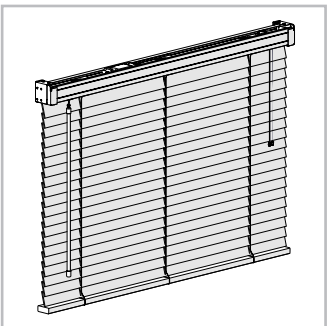
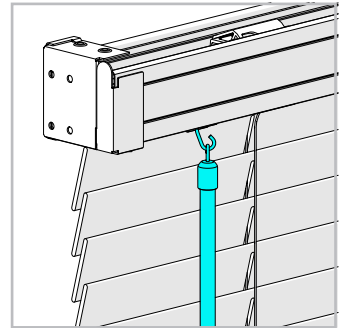
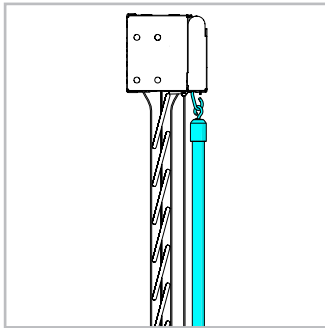
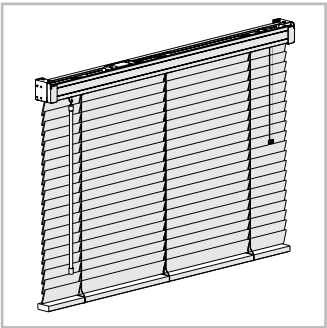
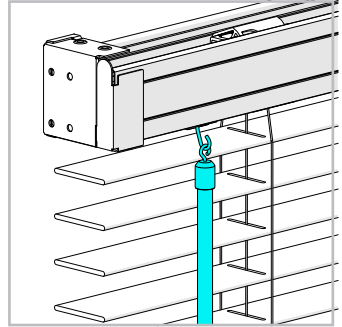
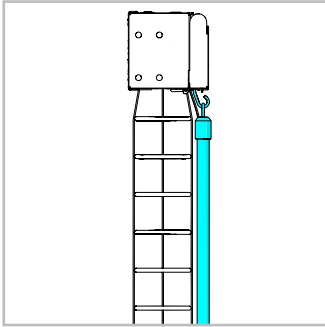
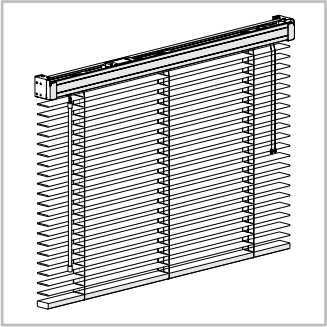
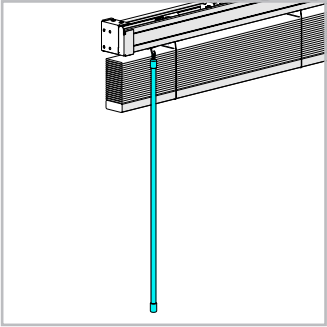


Battery Charging

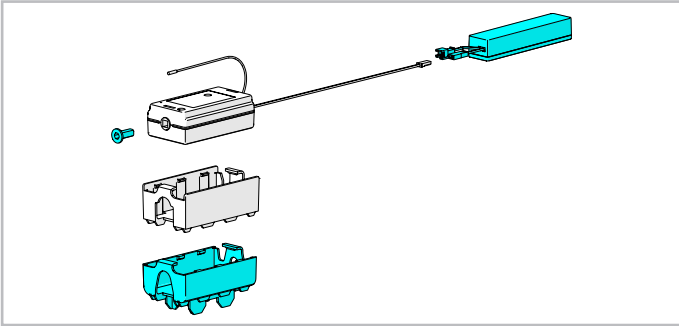


2 CORE TILT MOTOR WAND OPERATION

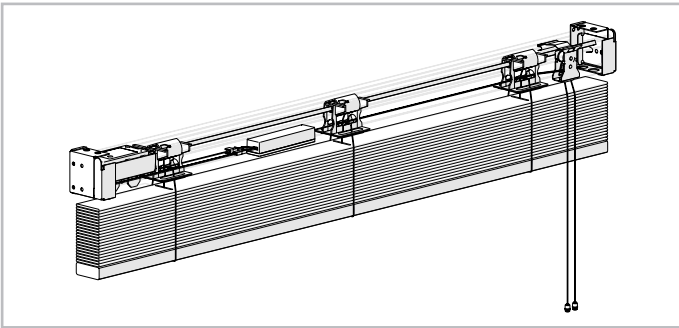
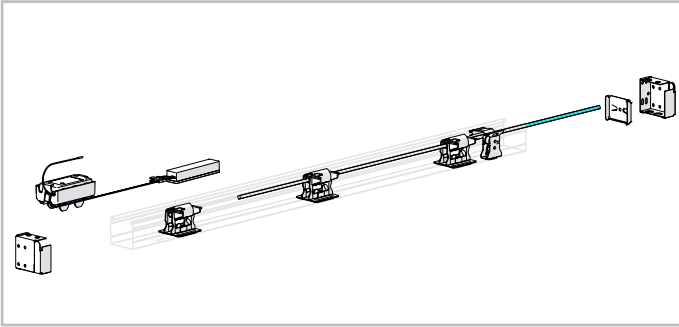
- Optional Control Wand



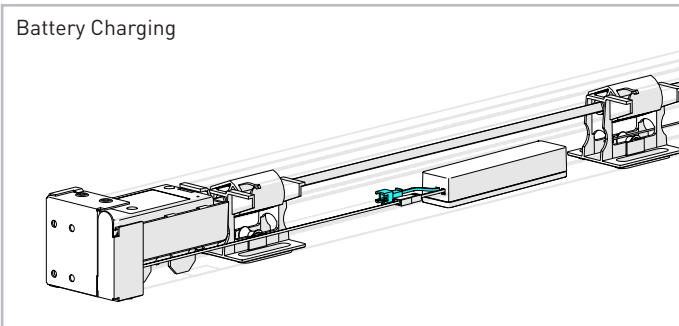
3 TILT MOTOR ASSEMBLY



- Assemble correct configuration as required
- Insert motor assembly into venetian head rail assembly
- Ensure tilt rod is engaged with the motor
- Minimum tilt rod insertion with motor is 1/2"
- Maximum tilt rod insertion with motor is 3/4"



Battery Charging



4 WIRING

4.1 Power Options

Automate DC motor MTDCRF-TILT-1 is powered from a 12V DC power source. AA Battery wands, re-chargeable battery packs and A/C power supplies are available, with a variety of quick connect extension cords. For centralized installations, power supply range can be extended with 18/2 wire (not available through Rollease Acmeda).

- During operation, if voltage drops to less than 10V, the motor will beep 10 times to indicate a power supply issue.
- Motor will stop running when the voltage is lower than 7V and it will resume again when the voltage is greater than 7.5V.

NOTE:

- Passthrough Tilt Motor MT01-4001-xxx002 comes supplied with a rechargeable battery pack.

Power Supply	Compatible Motors
MTBWAND18-25 Battery Tube for 18/25mm DCRF (no Battery) Mtrs (inc Mt clips)	MTDCRF-TILT-1
MTDCPS-18-25 Power Supply for 18/25-CL/Tilt DCRF (no Bttry) Mtr	
MTBPCKR-28 Rechargeable Wand	
MT03-0301-069011 USB Wall Charger - 5V, 2A (AU ONLY)	MT01-4001-xxx002
MT03-0301-069008 USB Wall Charger - 5V, 2A (US ONLY)	
MT03-0301-069007 4M (13ft) USB Micro Cable	
MT03-0302-067001 Solar Panel Gen2	

Extension Cables	Compatible with
MTDC-CBLXT6 DC Battery Motor Cable extender 6" / 155mm	MTDCRF-TILT-1
MTDC-CBLXT48 DC Battery Motor Cable extender 48" / 1220mm	
MTDC-CBLXT96 DC Battery Motor Cable extender 96" / 2440mm	
MT03-0301-069013 48"/1200mm 5V Cable Extender	MT01-4001-xxx002
MT03-0301-069014 8"/210mm 5V Cable Extender	
MT03-0301-069	



Ensure cable is kept clear of fabric.

Ensure antenna is kept straight and away from metal objects.

5 P1 BUTTON FUNCTIONS

5.1 Motor state test

This table describes the function of a short **P1** Button press/release (<2 seconds) depending on current motor configuration.

P1 Press	Condition	Function Achieved	Visual Feedback	Audible Feedback	Function Described
Short Press	If limit is NOT set	None	No Action	None	No Action
	If limits are set	Operational control of motor, run to limit. Stop if running	Motor Runs	None	Operational control of motor after pairing and limit setting is completed first time
	If motor is in "Sleep Mode" & limits are set	Wake and control	Motor wakes and runs in a direction	None	Motor is restored from Sleep Mode and RF control is active

5.2 Motor configuration options

The **P1** Button is utilized to administer motor configurations as described below.

Hold **P1** button on motor head.

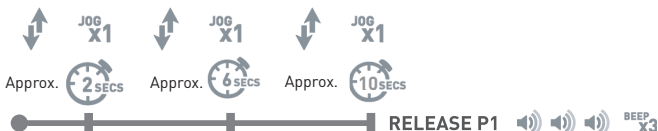
Activate Pairing Mode



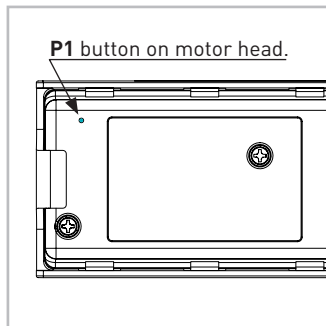
Sleep Mode



Reverse Direction



Reset To Factory Settings



IMPORTANT

ONLY THE PASSTHROUGH MOTOR EMITS A BEEPING NOISE.

IGNORE THIS ICON WHEN PROGRAMMING MTDCRF-TILT-1.

ALL OTHER PROMPTS ARE THE SAME FOR BOTH MOTORS.

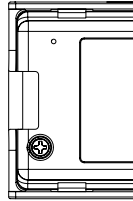
6 INITIAL SET UP

6.1 Pair motor with controller

Select channel on controller.



Hold **P1** button on motor head.



Hold **STOP** on controller.



IMPORTANT

Consult user manual for your controller for information on selecting channel.

Motor Response*



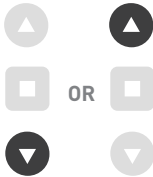
Motor Response*



Motor is now in step mode and ready for setting limits

6.2 Check motor direction

To check travel direction of shade, press **UP** or **DOWN** on controller.



To reverse shade direction, hold both **UP** and **DOWN**.

Until the motor responds.



Quick Press = Step

Long Press = Continuous Travel

Motor Response*



IMPORTANT

Damage to shade may occur when operating motor prior to setting limits. Attention should be given.

IMPORTANT

Reversing motor direction using this method is only possible during initial set-up

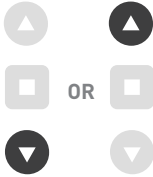
NOTE: * ONLY THE PASSTHROUGH MOTOR BEEPS

6.3 Set Limits

IMPORTANT

Cycle shade up and down prior to setting limits to settle fabric

Move shade to the desired highest or lowest position by pressing the **UP** or **DOWN** buttons on controller.



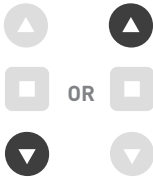
To save upper limit, hold **UP** and **STOP**.



Motor Response*



Move shade to the desired highest or lowest position by pressing the **UP** or **DOWN** buttons on controller.



To save lower limit, hold **DOWN** and **STOP**.



Motor Response*



IMPORTANT

After setting limits, motor will automatically exit from initial set-up mode.

NOTE: * ONLY THE PASSTHROUGH MOTOR BEEPS

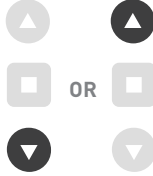
7 ADJUSTING LIMITS

7.1 Adjust upper limit

Hold **UP** and **STOP** on controller.



Move shade to the desired highest position by pressing the **UP** or **DOWN** button.



To save upper limit, hold **UP** and **STOP**.



Motor Response*



Motor Response*

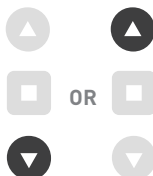


7.2 Adjust lower limit

Hold **DOWN** and **STOP** on controller.



Move shade to the desired lowest position by pressing the **UP** or **DOWN** button.



To save lower limit, hold **DOWN** and **STOP**.



Motor Response*



Motor Response*



IMPORTANT

The bottom limit should be set ~ 1.38 in. (35mm) below the Ultra-Lock to disengage the auto lock mechanism when the shade is raised.

NOTE: * ONLY THE PASSTHROUGH MOTOR BEEPS

8 CONTROLLERS AND CHANNELS

8.1 Using P2 Button on existing controller to add a new controller or channel

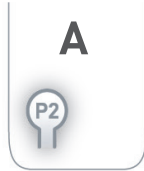
A = Existing controller or channel (to keep)

B = Controller or channel to add or remove

Press **P2** on controller **A**.



Press **P2** on controller **A**.



Press **STOP** on an new controller to add it.



Motor Response*



Motor Response*



Motor Response*



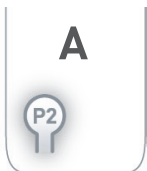
IMPORTANT Consult user manual for your controller or sensor

8.2 Using a pre-existing controller to add or delete a controller or channel

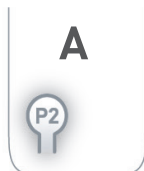
A = Existing controller or channel (to keep)

B = Controller or channel to add or remove

Press **P2** on controller **A**.



Press **P2** on controller **A**.



Press **P2** on the controller **B** to remove it.



Motor Response*



Motor Response*



Motor Response*



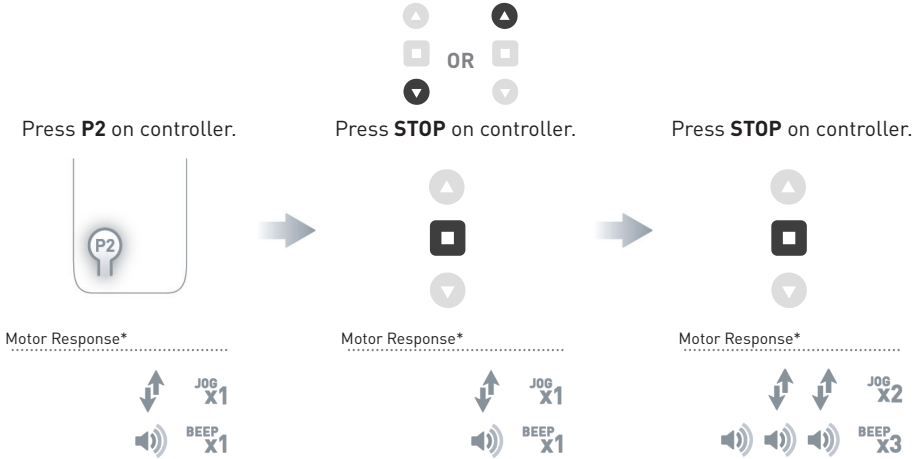
IMPORTANT Consult user manual for your controller or sensor

*NOTE: * ONLY THE PASSTHROUGH MOTOR BEEPS*

9 FAVORITE POSITIONING

9.1 Set a favorite position

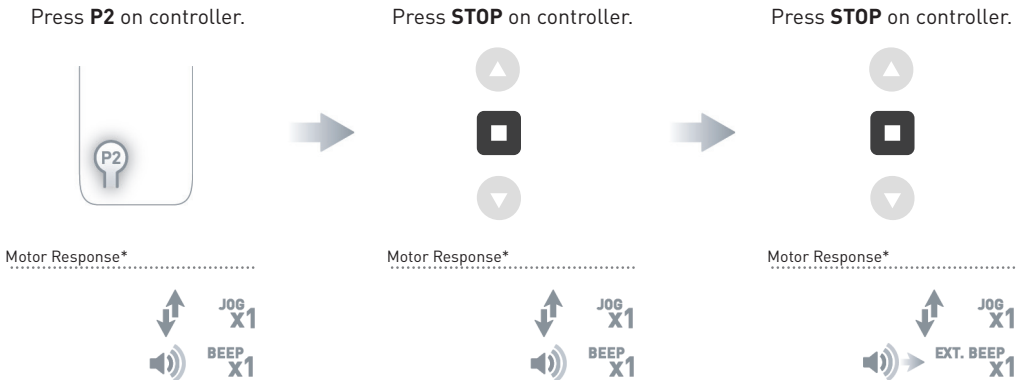
Move shade to the desired position by pressing the **UP** or **DOWN** button on the controller.



9.2 Send shade to favorite position



9.3 Delete favorite position



NOTE: * ONLY THE PASSTHROUGH MOTOR BEEPS

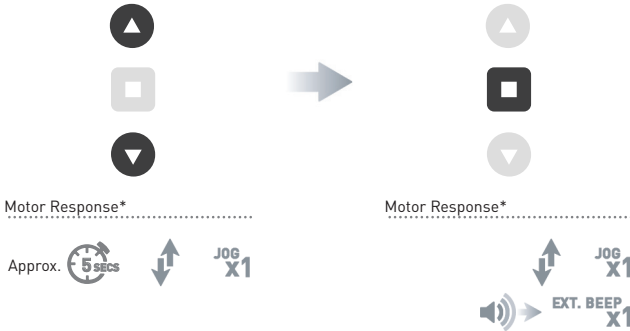
10 TILT & ROLLER MODE

10.1 Toggle motor to Tilt Mode

Default motor mode is Roller after initial Limits have been set, use following steps to change to Roller Mode.

Hold **UP** & **DOWN** on controller.

Press **STOP** on controller.

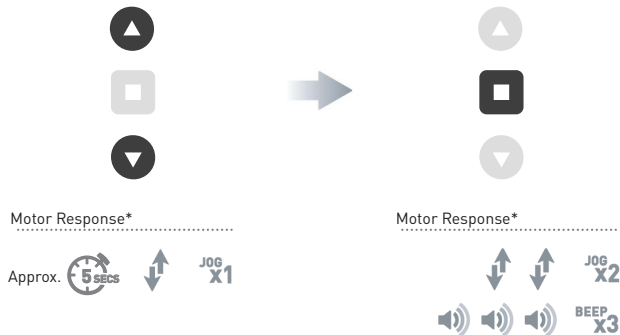


10.2 Toggle Motor to Roller Mode

If motor is in Tilt Mode, use following steps to change to Roller Mode.

Hold **UP** & **DOWN** on controller.

Press **STOP** on controller.

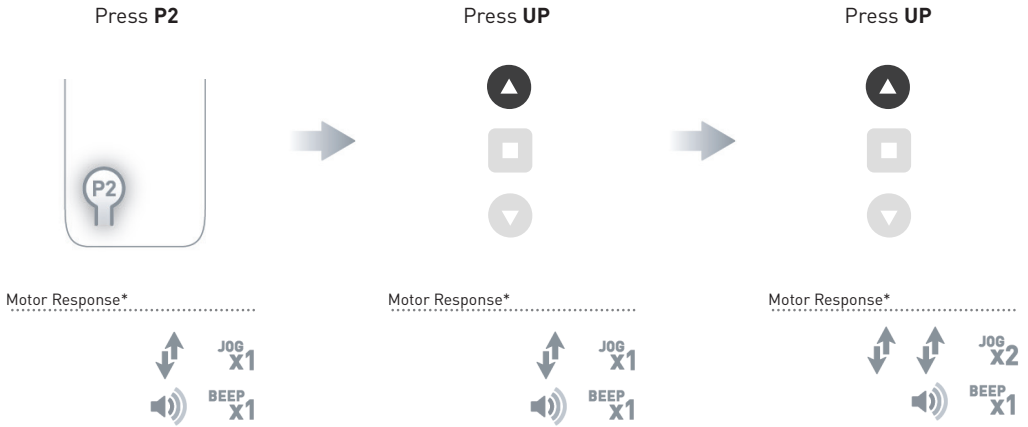


NOTE: * ONLY THE PASSTHROUGH MOTOR BEEPS

11 ADJUSTING SPEED

11.1 Increase Motor Speed

NOTE: Repeating this step when at the fastest speed ENTERS Soft Stop Mode in MT01-4001-069001.



11.2 Decrease Motor Speed

NOTE: Repeating this step when at the slowest speed EXITS Soft Stop Mode in MT01-4001-069001.



NOTE: * ONLY THE PASSTHROUGH MOTOR BEEPS

12 SLEEP MODE

If multiple motors are grouped on a single channel, Sleep Mode may be used to put all but 1 motor to sleep, allowing programming of just the one motor that remains "Awake". See page 6 for detailed **P1** functions.

Enter Sleep Mode

Sleep mode is utilized to prevent a motor from incorrect configuration during other motor setup.

Hold **P1** button on the motor head

Motor Response*.....



Exit Sleep Mode: Method 1

Exit sleep mode once the shade is ready.

Press and release **P1** button on the motor head

Motor Response*.....



Exit Sleep Mode: Method 2

Remove power and then re-power the motor.

*NOTE: * ONLY THE PASSTHROUGH MOTOR BEEPS*

Problem	Cause	Remedy
Motor is not responding	Battery in motor is depleted	Recharge with a compatible charger
	Insufficient charging from solar PV panel	Check connection and orientation of PV panel
	Controller battery is discharged	Replace battery
	Battery is inserted incorrectly into controller	Check battery polarity
	Radio interference/shielding	Ensure transmitter is positioned away from metal objects and the aerial on motor or receiver is kept straight and away from metal
	Receiver distance is too far from transmitter	Move transmitter to a closer position
	Charging failure	Check power supply to motor is connected and active
Motor beeps x10 when in use	Battery voltage is low	Recharge with a compatible charger
Cannot program a single motor (multiple motors respond)	Multiple motors are paired to the same channel	Always reserve an individual channel for programming functions. Use Sleep Mode to program individual motors.

NOTES

A large rectangular area enclosed by a dotted border, intended for handwritten notes.

info@rolleaseacmeda.com
rolleaseacmeda.com

ROLLEASE ACMEDA
USA

200 Harvard Avenue
Stamford, CT 06902 6320
T +1 203 964 1573 | F +1 203 964 0513

ROLLEASE ACMEDA
EUROPE

Via Conca Del Naviglio 18, Milan
(Lombardia) Italy
T +39 02 8982 7317 | F +39 02 8982 7317

ROLLEASE ACMEDA
AUSTRALIA

110 Northcorp Boulevard,
Broadmeadows VIC 3047
T +61 3 9355 0100 | F +61 3 9355 0110

Queensland Branch
Unit 2/62 Borthwick Avenue,
Murarrie QLD 4172