

Skyline 10.0Nm & 15Nm | 45mm

The motorized Skyline roller shade system offers a range of six Automate motors with three tube diameters to suit a variety of applications. Featuring ARC (Automate Radio Communication), the 45mm Skyline Automate system provides an intelligent, Li-ion battery or a DC powered solution.

AESTHETIC FEATURES

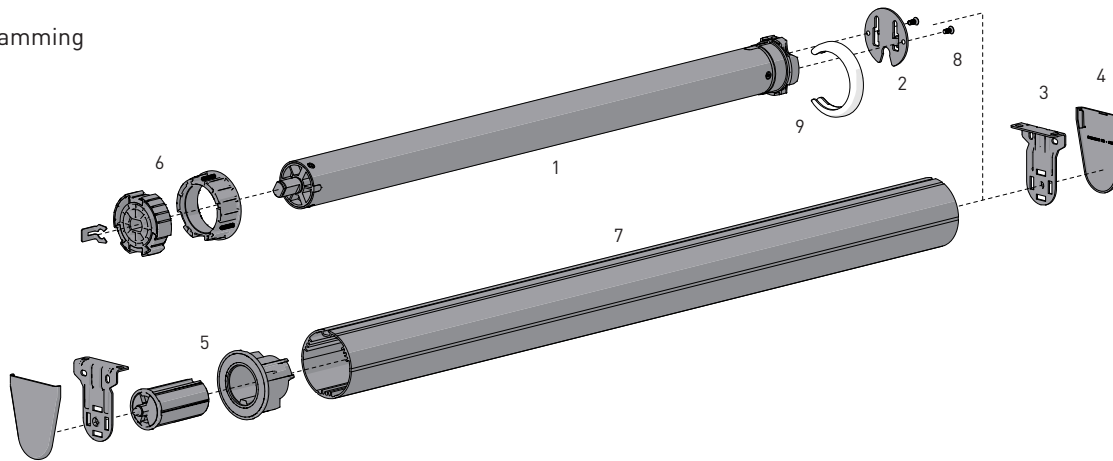
- Slim motor head for minimal light gap
- Motor cap to color match with brackets

ASSEMBLY / PRODUCTION FEATURES

- Greater flexibility with installation with spring loaded pin end
- Crown, drive and adaptors available to suit variety of tube sizes

FUNCTIONAL BENEFITS

- Leveling control
- Simple limit setting and adjustment
- Favorite position
- 3 operational speed settings
- 2-way RF communication
- ARC protocol for simple programming



SYSTEM INDEX

	Automate Motor 45mm MT01-1345-069001 - Li-ion Q3.0 5V MT01-1345-069002 - Li-ion 10Nm 5V MTDCBRFQ45-3 - Li-ion Q3.0 12V
1	MTDCBRFQ45-10 - Li-ion Q10 12V MTDCRFQ45-3 - DCRF Q3.0 12V MTDCRFQ45-10 - DCRF Q10 12V MTACRFQ45-10 - ACRF Q10 12V MTACRF-45-15 - ACRF Q15 12V
2	Motor Adaptor MTAD-45-SL
3	Brackets SLB###x SLNB###x
4	Bracket Covers SLBC###x SLNBC###x
5	Pin End & Adaptor SLPEHD53xx + RA2xx
6	Crown & Drive Kit MTCRDR-45-2 - Kit for 2" Tube MTCRDR-45-2.5 - Kit for 2½" Tube MTCRDR-45-3.25 - Kit for 3¼" Tube
7	Aluminum Tube RTEASW5T## - 2" Smooth Tube RTEA6T## - 2½" Tube RTEA7T## - 3¼" Tube
8	Screw for Adaptor SLAMSCREW
9	Motor Cap MTCAP-45-BK - Black MTCAP-45-W - White MTCAP-45-AB - Antique Bronze MTCAP-45-SN - Satin Nickle

- Size
xxx= Color

COLOR RANGE



CONTROL OPTIONS

REMOTES



WALL SWITCH



SMART HOME



PULSE



CHARGERS

ELECTRIC



SOLAR



OPTIONS

SUN SENSOR

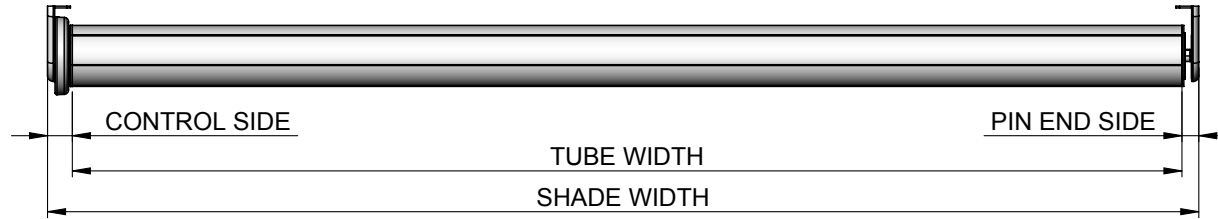


SYSTEM UPGRADES

- CASSETTE 80/100/120
- FASCIA 3"/4"/5"
- LINK SYSTEM
- POCKETS 3"/4"/5"/6"

SPECIFICATIONS

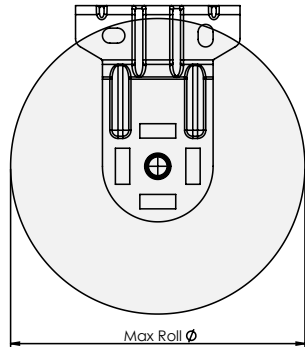
DEDUCTION CHART



MINIMUM SHADE WIDTH	
MT01-1345-06900x	3.07' [0.935m]
MTDCBRFQ45-3	3.07' [0.935m]
MTDCBRF45-10	3.07' [0.935m]
MTDCRFQ45-3	2.71' [0.825m]
MTDCRF45-10	2.71' [0.825m]
MTACRF45-10	2.87' [0.875m]
MTACRF45-15	2.54' [0.775m]

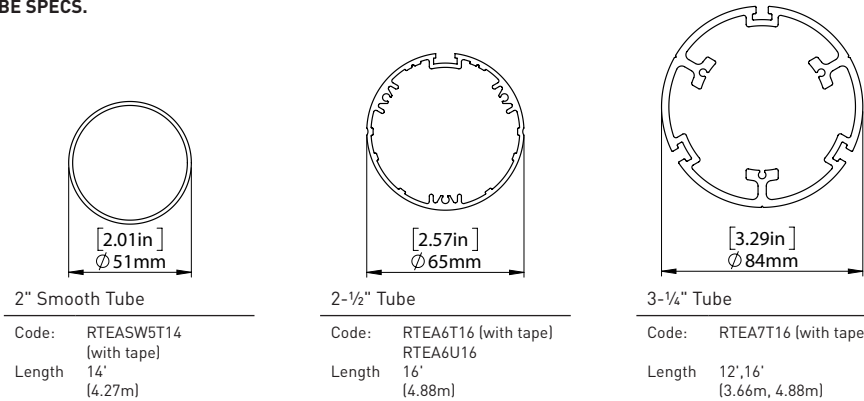
MOTOR	TUBE	BRACKETS	LIGHT GAP		
			CONTROL END	PIN END	OVERALL
MTDCBRFQ45-3 MTDCBRFQ45-10 MTDCRFQ45-3 MTDCRF45-10 MTACRF45-10 MTACRF45-15	2"	With Covers	0.91" [23mm]	0.59" [15mm]	1.50" [38mm]
		No Covers	0.83" [21mm]	0.55" [14mm]	1.38" [35mm]
	2½"	With Covers	0.87" [22mm]	0.67" [17mm]	1.56" [39mm]
		No Covers	0.79" [20mm]	0.63" [16mm]	1.42" [36mm]
	¾"	With Covers	0.87" [22mm]	0.67" [17mm]	1.56" [39mm]
		No Covers	0.79" [20mm]	0.63" [16mm]	1.42" [36mm]

MAX ROLL



BRACKET	MAX ROLL SIZE
SLNBxx650xx	2-3/8" [59mm]
SLxx660xx	3" [76mm]
SLxx680xx	4" [102mm]
SLxx690xx	5" [128mm]

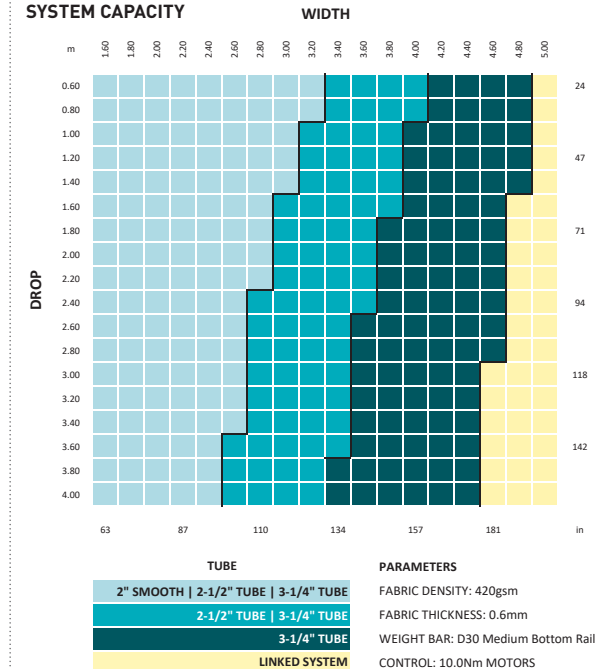
TUBE SPECS.



MOTORS	MAX LIFTING CAPACITY			MAX DROP*
	2" TUBE	2-½" TUBE	3-¼" TUBE	
3.0Nm	26.4lbs [12.0kg]	20.7lbs [9.4kg]	16.1lbs [7.3kg]	13.1' [4m]
10.0Nm	88.1lbs [40.0kg]	69.1lbs [31.4kg]	53.5lbs [24.3kg]	
15.0Nm	132.2lbs [60.0kg]	103.7lbs [47.0kg]	36.4lbs [80.3kg]	

* Recommended Max Drop. Exceeding this value may cause fabric tracking issues

SYSTEM CAPACITY



PARAMETERS
 FABRIC DENSITY: 420gsm
 FABRIC THICKNESS: 0.6mm
 WEIGHT BAR: D30 Medium Bottom Rail
 CONTROL: 10.0Nm MOTORS