

Skyline 1.1Nm | 25mm

The motorized 25mm 1.1Nm Skyline roller shade system offers two motors for multiple tube diameters to suit a variety of applications. Featuring ARC (Automate Radio Communication), the motorized 25mm 1.1Nm Skyline system provides an intelligent, Li-ion battery powered solution.

AESTHETICAL FEATURES

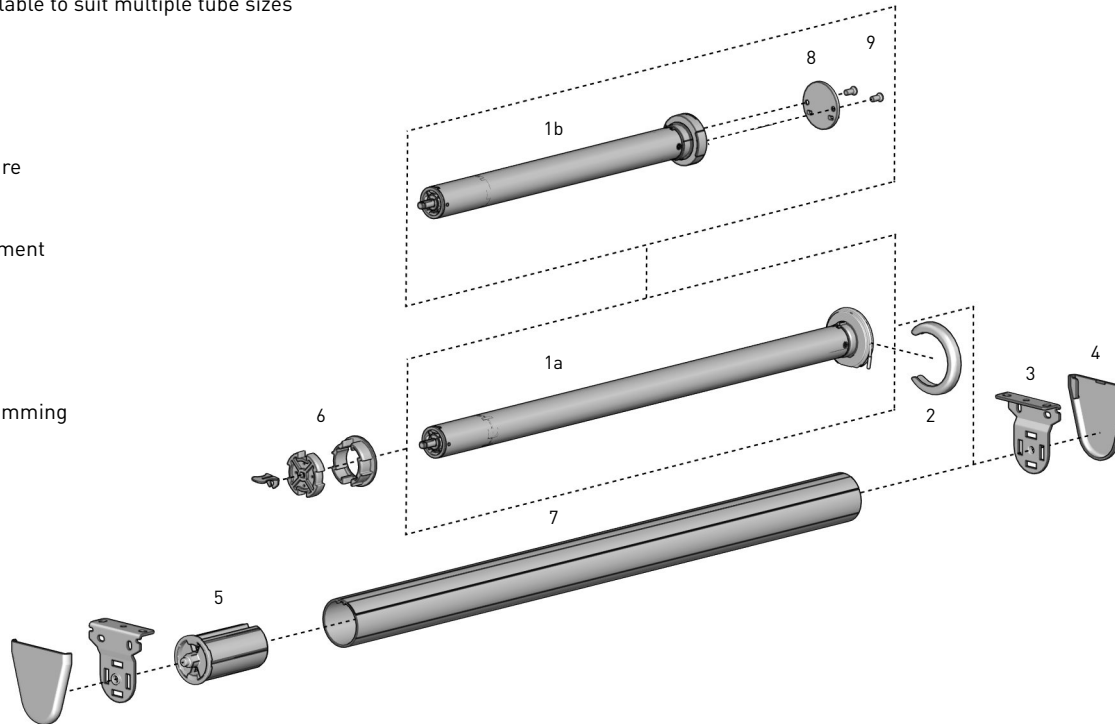
- Thinner Motor Head
- Recessed mounting hooks

PRODUCTION & ASSEMBLY FEATURES

- Greater flexibility with installation with spring loaded pin end
- Crown, drive and adapters available to suit multiple tube sizes
- Smaller Motor end deduction

FUNCTIONAL BENEFITS

- 5V Micro USB Charging
- Antennae Wire Retention Feature
- Levelling control
- Simple limit setting and adjustment
- Favorite position
- 3 operational speed settings
- 2-WAY RF communication
- ARC protocol for simple programming



SYSTEM INDEX

| | |
|---|---|
| 1 | Automate Motor 25mm MT01-1325-06900# - Li-ion 1.1 STD & Short MTDCRF25-1.1 - DCRF 1.1 |
| 2 | Motor Cap MT03-0205-xxx001 - for Li-ion ZERO |
| 3 | Skyline Brackets SLB###x SLNB###x |
| 4 | Skyline Bracket Covers SLBC###x SLNBC###x |
| 5 | Pin End SLPEV03xx - 1/4" Tube SLPEHD53xx - 1/2" Tube |
| 6 | Crown & Drive Kit MTCRDR-25-1.25 - 1/4" Tube MTCRDR-25-1.5 - 1/2" Tube |
| 7 | Aluminum Tube RTEA3T## - 1/4" Tube RTEA4T## - 1/2" Tube |
| 8 | Adapter for DCRF Motors MTAD-252835-SL MTAD-25-28-SLV2W - for use with Cap |
| 9 | Screws for Adapter SLAMSCREW - for MTAD-252835-SL Only |

- Size
xxx= Color

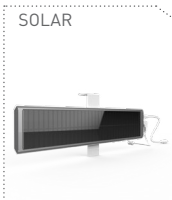
COLOUR RANGE



SYSTEM UPGRADES

- CASSETTE 80/100/120
- FASCIA 3"/4"/5"
- LINK SYSTEM
- POCKETS 3"/4"/5"/6"

CONTROL OPTIONS

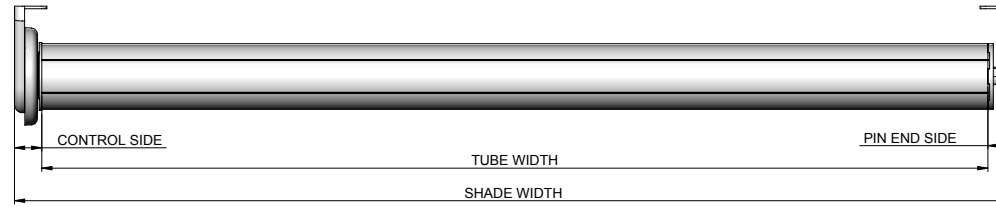


PRODUCT OPTIONS



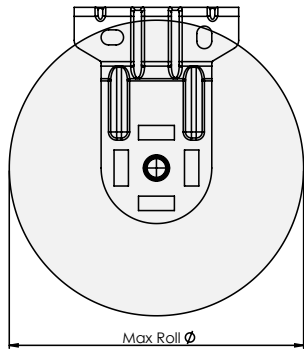
SPECIFICATIONS

DEDUCTION CHART



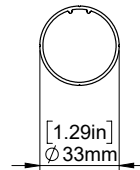
| MOTOR | TUBE | BRACKETS | LIGHT GAP | | | MINIMUM SHADE WIDTH |
|------------------|--------|-------------|--------------|--------------|--------------|---------------------|
| | | | CONTROL END | PIN END | OVERALL | |
| MT01-1325-069002 | 1 1/4" | With Covers | 0.67" [17mm] | 0.55" [14mm] | 1.22" [31mm] | MT01-1325-069001 |
| | | No Covers | 0.63" [16mm] | 0.51" [13mm] | 1.14" [29mm] | |
| MTDCBRF25-1.1 | | With Covers | 0.83" [21mm] | 0.55" [14mm] | 1.34" [35mm] | MTDCBRF25-1.1 |
| | | No Covers | 0.75" [19mm] | 0.51" [13mm] | 1.26" [32mm] | |
| MT01-1325-069002 | 1 1/2" | With Covers | 0.67" [17mm] | 0.59" [15mm] | 1.26" [32mm] | |
| | | No Covers | 0.63" [16mm] | 0.55" [14mm] | 1.18" [30mm] | |
| MTDCBRF25-1.1 | | With Covers | 0.83" [21mm] | 0.59" [15mm] | 1.42" [36mm] | |
| | | No Covers | 0.75" [19mm] | 0.55" [14mm] | 1.30" [33mm] | |

MAX ROLL



| BRACKET | MAX ROLL SIZE |
|-------------|---------------|
| SLNBxx650xx | 2-3/8" [59mm] |
| SLxx660xx | 3" [76mm] |
| SLxx680xx | 4" [102mm] |
| SLxx690xx | 5" [128mm] |

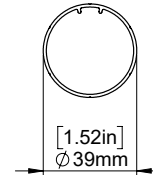
TUBE SPECS.



1 1/4" Tube

Code: RTEA3T12 (with tape)
RETA3T16 (with tape)

Length 12', 16'
(3.66m, 4.88m)



1 1/2" Tube

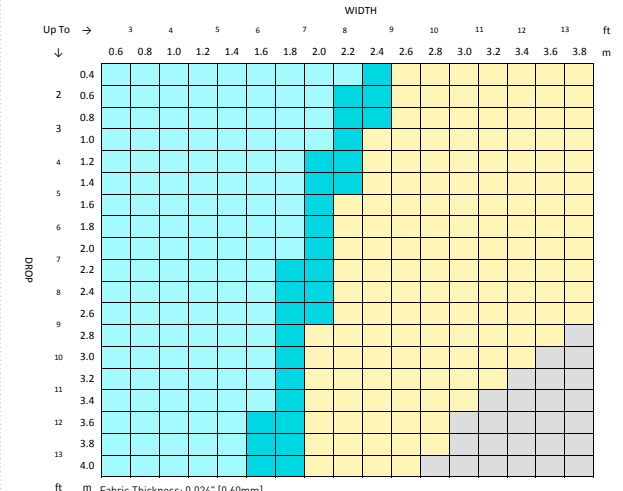
Code: RTEA4T12 (with tape)
RTEA4U12
RTEA4T16 (with tape)
RTEA4U16

Length 12', 16'
(3.66m, 4.88m)

| 1 1/4" TUBE | | 1 1/2" TUBE | |
|--------------|----------------|--------------|----------------|
| Ø WIDTH | MAX DROP | Ø WIDTH | MAX DROP |
| 6.6' [2.00m] | 3.3' [1.00m]* | 7.9' [2.40m] | 2.6' [0.80m]* |
| 4.6' [1.40m] | 13.1' [4.00m]* | 5.9' [1.80m] | 13.1' [4.00m]* |

* Recommended Max Drop. Exceeding this value may cause fabric tracking issues

SYSTEM CAPACITY



Fabric Thickness: 0.024" [0.60mm]
Fabric Density: 12.39oz/yd² [420gsm]
Weight Bar: D30 Silent Medium Aluminum Bottom Rail

| CONTROL | TUBE | LINK SYSTEM |
|------------|------------------------|-------------|
| 25mm Motor | RTEA3T## - 1.25" | 1.5" ONLY |
| | RTEA4T## - 1.5" | |
| | OUTSIDE SPECIFICATIONS | |