

AUTOMATE™

# Battery Wand Battery Pack

This re-loadable battery tube uses eight long-lasting, readily available lithium AA batteries (not included) to power your Automate Shades and blinds. All mounting clips and hardware included.



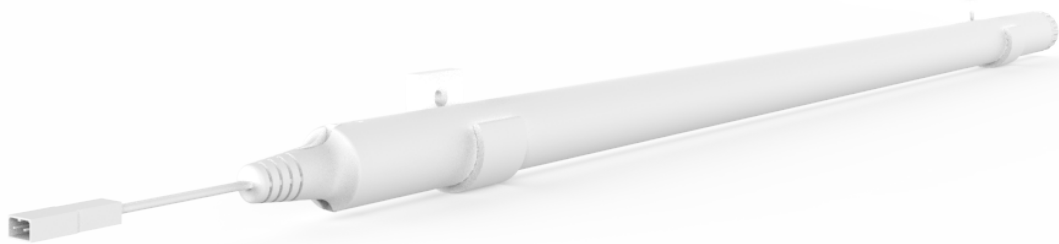
#### VERSATILE MOUNTING SYSTEM

Mount vertically or horizontally depending on shade or system application



#### BATTERY HEALTH

Direct replacement for older model battery wands ( AA Li-ion Battery Model).



**7** YEAR WARRANTY



ARC™ (Automate Radio Communication) is Rollease Acmeda's proprietary technology utilising 433MHz radio communication with bi-directional feedback that brings Automate motorised shading systems together.

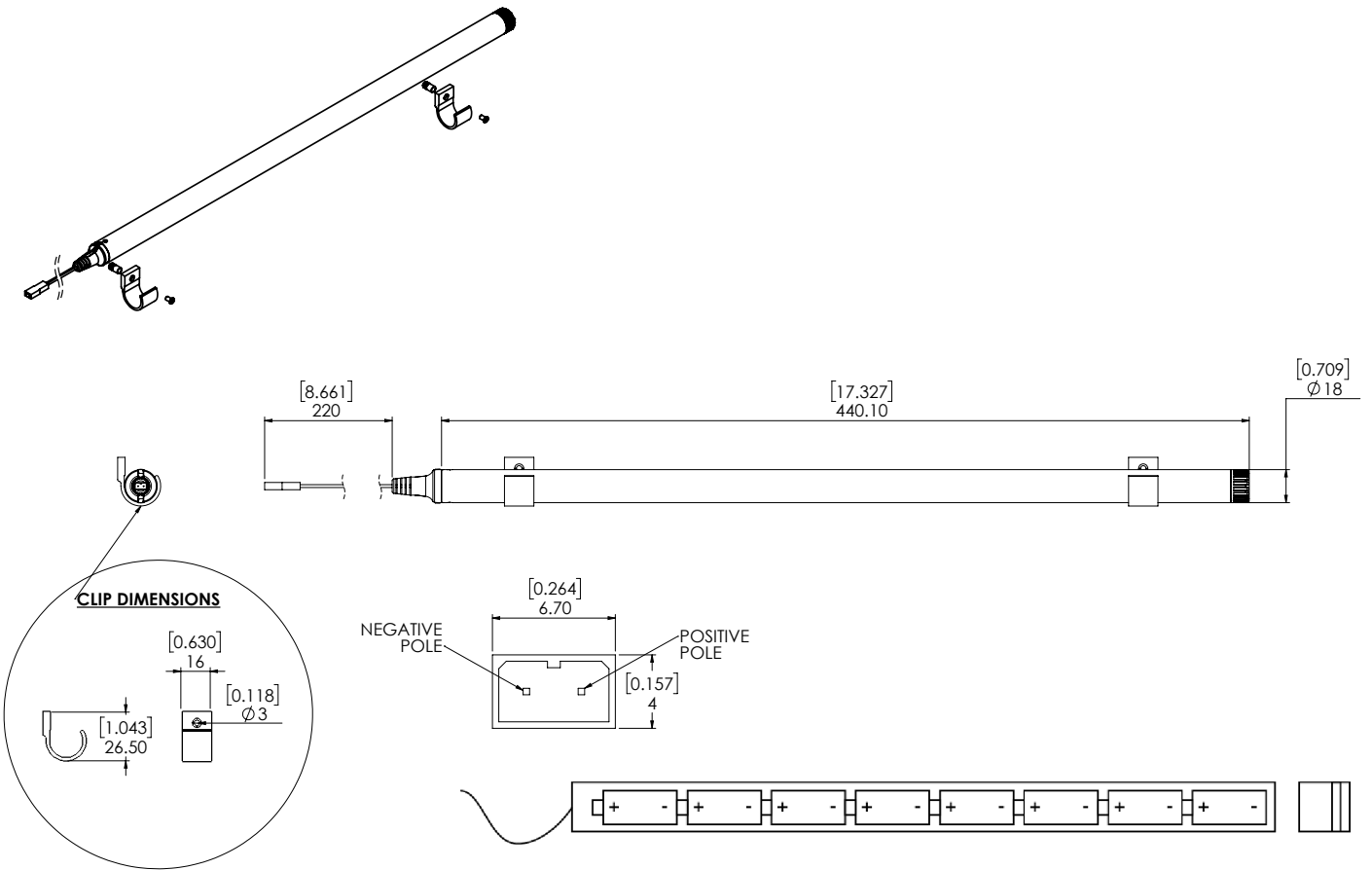
© Rollease Acmeda

# PRODUCT SPECIFICATIONS

Part #: **MTBWAND18-25** AUTOMATE I BATTERY TUBE for 18/25mm DCRF (no battery) Mtrs

|                        |       |                           |                             |
|------------------------|-------|---------------------------|-----------------------------|
| <b>Input Voltage</b>   | 5 VDC | <b>Battery Size</b>       | 8 AA - Li-Ion Battery       |
| <b>Typical Voltage</b> | 12V   | <b>Battery Type</b>       | Li-ion                      |
| <b>Nominal Voltage</b> | 12V   | <b>Temp Working Range</b> | 32°F to 113°F (0°C to 45°C) |

## DIMENSIONS



## WORKS WITH

- Cord Lift / Tilt Motors and DC 25mm motor only

## ACCESSORIES (sold separately)



### DC MOTOR CABLE EXT

6" (155mm) - MTDC-CBLXT6

48" (1.2m) - MTDC-CBLXT48

96" (2.4m) - MTDC-CBLXT96

## ITEMS INCLUDED



x2

### Wall Mount